

# CESAB P300 2.0 - 2.2 tonne

Powered Pallet Trucks



Truck Specifications



## CESAB P320 – P322 Truck Specifications

CHARACTERISTICS								
1.1	Manufacturer		CESAB	CESAB	CESAB	CESAB	CESAB	
1.2	Model		P320	P320	P320	P322	P322	
1.3	Drive		Electric	Electric	Electric	Electric	Electric	
1.4	Operator type		Pedestrian/stand-on					
1.5	Load capacity/rated load	Q	[kg]	2000	2000	2000	2200	2200
1.6	Load centre	c	[mm]	600	600	600	600	600
1.8	Load distance, centre of support arm wheel to face of forks, forks raised/lowered	x	[mm]	913/957*	913/957*	913/957*	913/957*	913/957*
1.9	Wheelbase, forks raised/lowered	y	[mm]	1362/1406*	1362/1406*	1362/1406*	1410/1454*	1410/1454*
WEIGHT								
2.1	Service weight including battery		[kg]	718	718	718	826	826
2.2	Axle load, with load, drive/castor/fork wheel		[kg]	466/585/1667	466/585/1667	466/585/1667	679/834/1513	679/834/1513
2.3	Axle load, without load, drive/castor/fork wheel		[kg]	284/294/140	284/294/140	284/294/140	389/311/126	389/311/126
WHEELS								
3.1	Drive/castor/fork wheel			Vulkollan				
3.2	Wheel size, front		[mm]	Ø 230x70	Ø 230x70	Ø 230x75	Ø 230x70	Ø 230x75
3.3	Wheel size, rear		[mm]	Ø 85x95	Ø 85x95	Ø 85x95	Ø 85x95	Ø 85x95
3.4	Additional wheels (dimensions)		[mm]	Ø 125x50	Ø 125x50	Ø 125x50	Ø 125x50	Ø 125x50
3.5	Wheels, number front/rear (x=driven wheels)			1x+ 2/2 or 4	1x+ 2/2 or 4	1x+ 2/2 or 4	1x+ 2/2 or 4	1x+ 2/2 or 4
3.6	Track width, front	b <sub>10</sub>	[mm]	500	500	500	500	500
3.7	Track width, rear	b <sub>11</sub>	[mm]	370	370	370	370	370
DIMENSIONS								
4.4	Lift	h <sub>3</sub>	[mm]	120 <sup>1)</sup>	120 <sup>1)</sup>	120 <sup>1)</sup>	120 <sup>1)</sup>	120 <sup>1)</sup>
	Lift height	h <sub>23</sub>	[mm]	205 <sup>1)</sup>	205 <sup>1)</sup>	205 <sup>1)</sup>	205 <sup>1)</sup>	205 <sup>1)</sup>
4.8	Stand height	h <sub>7</sub>	[mm]	190	190	190	190	190
4.9	Height of tiller in drive position, min./max. Manual steering	h <sub>14</sub>	[mm]	1100/1413	1100/1413	1100/1413	1100/1413	1100/1413
	Height of tiller in drive position, min./max. Power steering, highest setting	h <sub>14</sub>	[mm]	1201/1413	1201/1413	1201/1413	1201/1413	1201/1413
	Height of tiller in drive position, min./max. Power steering, lowest setting	h <sub>14</sub>	[mm]	1101/1313	1101/1313	1101/1313	1101/1313	1101/1313
4.15	Height, fork lowered	h <sub>13</sub>	[mm]	85	85	85	85	85
4.19	Overall length	l <sub>1</sub>	[mm]	1816*	1816*	1816*	1864*	1864*
4.20	Length to face of forks	l <sub>2</sub>	[mm]	666*	666*	666*	714*	714*
4.21	Overall width	b <sub>1</sub>	[mm]	730	730	730	730	730
4.22	Fork dimensions	s/e/l	[mm]	78/180/1150*	78/180/1150*	78/180/1150*	78/180/1150*	78/180/1150*
4.25	Width over forks	b <sub>5</sub>	[mm]	550*	550*	550*	550*	550*
4.32	Ground clearance, centre of wheelbase	m <sub>1</sub>	[mm]	30	30	30	30	30
4.33	Aisle width for pallets 1000x1200 crossways	A <sub>st</sub>	[mm]	2430*	2430*	2430*	2477*	2477*
4.34	Aisle width for pallets 800x1200 lengthways	A <sub>st</sub>	[mm]	2277*	2277*	2277*	2324*	2324*
4.35	Turning radius, forks raised	W <sub>a</sub>	[mm]	1585*	1585*	1585*	1632*	1632*
PERFORMANCE DATA								
5.1	Travel speed, with/without load. Manual steering		[km/h]	6.0/6.0	8.0/8.0	8.0/10.0	7.5/8.0	7.5/10.0
	Travel speed, with/without load. Power steering		[km/h]	6.0/6.0	8.0/8.0	9.0/10.0	8.0/8.0	9.0/10.0
5.2	Lift speed, with/without load		[m/s]	0.05/0.08	0.05/0.08	0.05/0.08	0.05/0.07	0.05/0.07
5.3	Lowering speed, with/without load		[m/s]	0.11/0.09	0.11/0.09	0.11/0.09	0.11/0.08	0.11/0.08
5.8	Max. gradeability, with/without load <sup>2)</sup>		[%]	8/18	8/18	8/18	8/18	8/18
5.9	Acceleration time (over 10 m)		[s]	5.7	5.7	5.7	5.0	5.0
5.10	Service brake			Electromagnetic				
ELECTRIC MOTOR								
6.1	Drive motor rating S2 60 min		[kW]	1.8	2.5	2.5	2.5	2.5
6.2	Lift motor rating at S3 10%		[kW]	2.2	2.2	2.2	2.2	2.2
6.4	Battery voltage/nominal capacity K <sub>5</sub>		[V/Ah]	24/300*	24/300*	24/300*	24/400*	24/400*
6.5	Battery weight		[kg]	241	241	241	305	305
OTHERS								
8.1	Type of drive control			Variable AC				

1) +20 mm for roll container handling.

2) Measured according to company standard.

\*) Further alternatives are available and will produce other values.

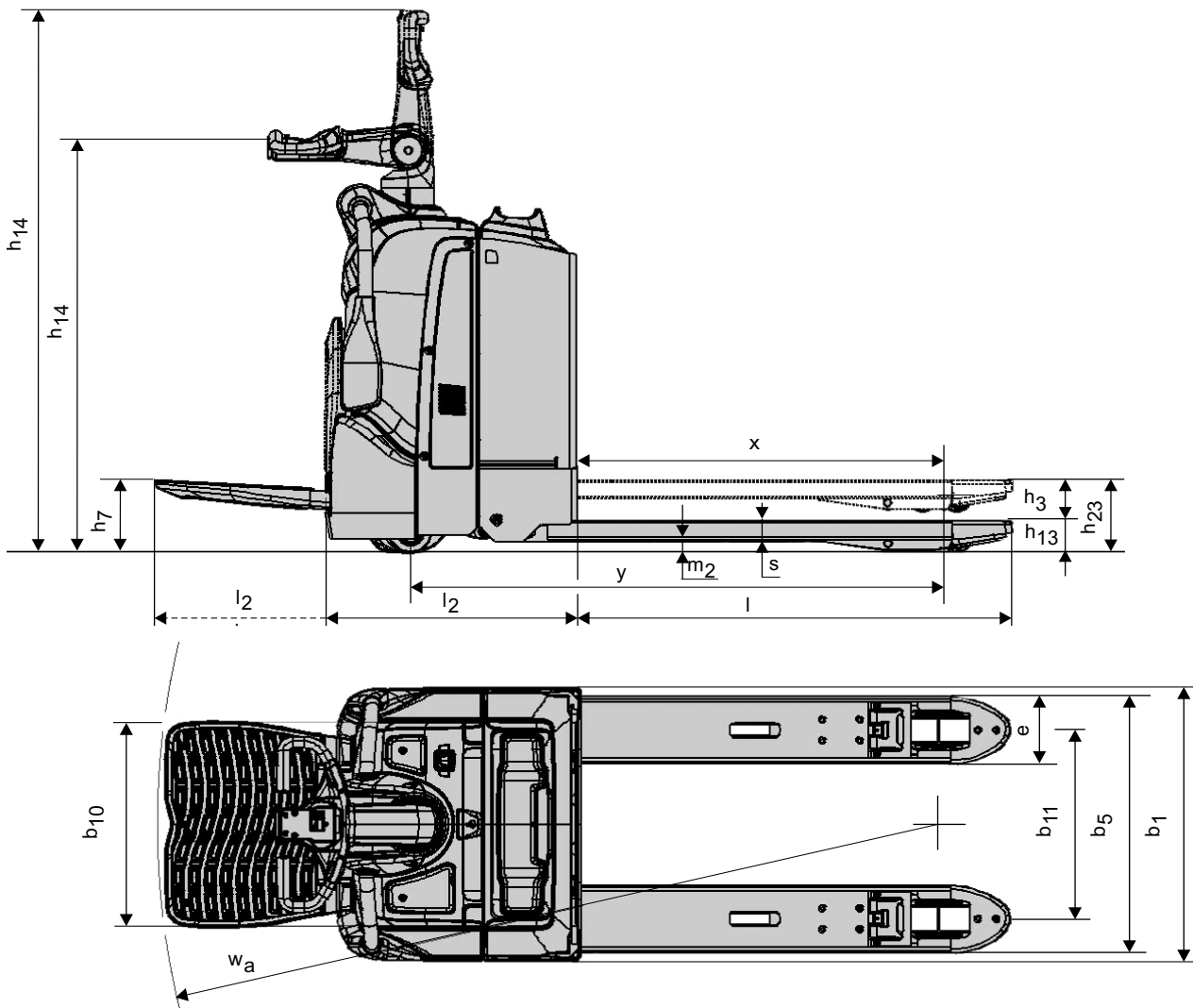
All data are based on table configuration. Other configurations may give other values.

Truck performance and dimensions are nominal and subject to tolerances.

CESAB products and specifications are subject to change without notice.



## CESAB P320 – P322 Dimensional Drawings



### Battery compartments

DIMENSIONS				LIFT OUT			SIDEWAYS		
Battery change				Small	Medium	Large/DIN	Small	Medium	Large/DIN
1.9	Wheelbase, forks raised/lowered	y	[mm]	1362/1406	1410/1454	1507/1551	1422/1466	1470/1514	1564/1608
4.19	Overall length with platform up/down	$l_1$	[mm]	1816/2266	1864/2314	1961/2411	1876/2326	1924/2374	2021/2471
	Overall length with backrest	$l_1$	[mm]	2440	2488	2585	2500	2548	2645
	Overall length with fixed side protection	$l_1$	[mm]	2276	2324	2420	2336	2384	2480
4.20	Length to face of forks with platform up/down	$l_2$	[mm]	666/1116	714/1164	811/1261	726/1176	774/1224	871/1321
	Length to face of forks with backrest	$l_2$	[mm]	1290	1338	1435	1350	1398	1495
	Length to face of forks with fixed side protection	$l_2$	[mm]	1126	1174	1270	1186	1234	1330
4.33	Aisle width for pallets 1000x1200 crossways with platform up/down	$A_{st}$	[mm]	2430/2894	2477/2942	2572/3038	2489/2953	2536/3001	2631/3097
	Aisle width for pallets 1000x1200 crossways with backrest	$A_{st}$	[mm]	3066	3114	3210	3126	3174	3270
	Aisle width for pallets 1000x1200 crossways with fixed side protection	$A_{st}$	[mm]	2904	2951	3047	2963	3011	3106
4.34	Aisle width for pallets 800x1200 lengthways with platform up/down	$A_{st}$	[mm]	2277/2741	2324/2789	2419/2885	2336/2801	2383/2848	2478/2944
	Aisle width for pallets 800x1200 lengthways with backrest	$A_{st}$	[mm]	2914	2961	3058	2973	3021	3117
	Aisle width for pallets 800x1200 lengthways with fixed side protection	$A_{st}$	[mm]	2751	2799	2894	2811	2858	2953
4.35	Turning radius with platform up/down	$W_a$	[mm]	1585/2049	1632/2096	1727/2193	1644/2108	1691/2156	1786/2252
	Turning radius with backrest	$W_a$	[mm]	2221	2269	2365	2281	2329	2425
	Turning radius with fixed side protection	$W_a$	[mm]	2059	2106	2202	2118	2166	2261
6.4	Battery voltage, nominal capacity $K_s$	[V/Ah]		24/225-300	24/400	24/375-600	24/225-300	24/400	24/375-600
6.5	Battery weight, min.—max.	[kg]		175-285	265-350	375-485	175-285	265-350	375-485



The data in this specification sheet was determined based on our standard testing conditions. Operating performance may vary depending on the actual specification and condition of the truck as well as the condition of the operating area. Availability and specifications are determined regionally and are subject to change without notice. Please consult your authorised CESAB dealership for further details. SPEC\_P300\_EN\_2014 / P&B P300 V19 – Copyright CESAB Material Handling Europe.

